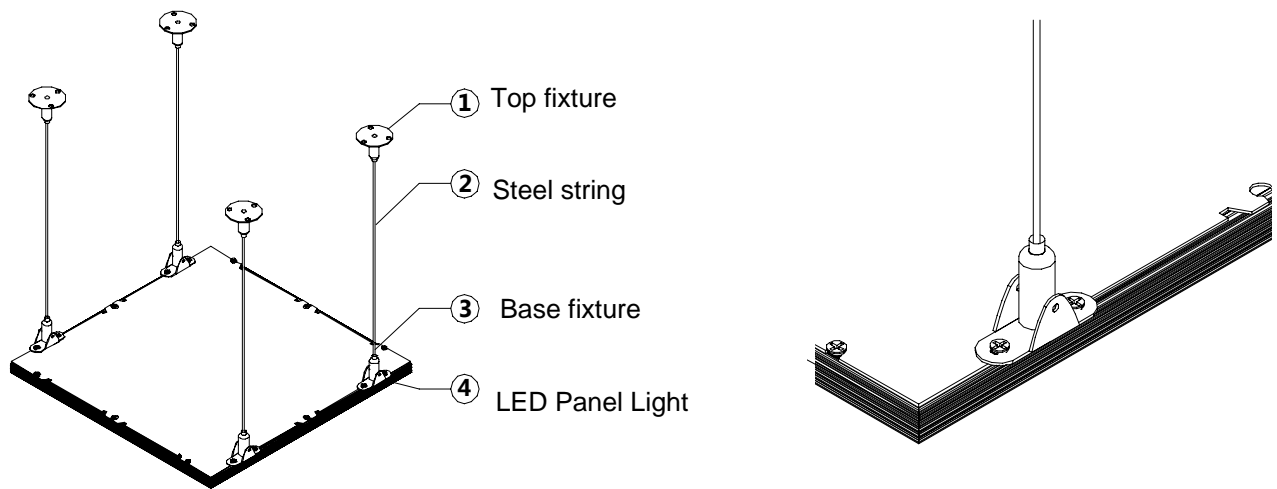


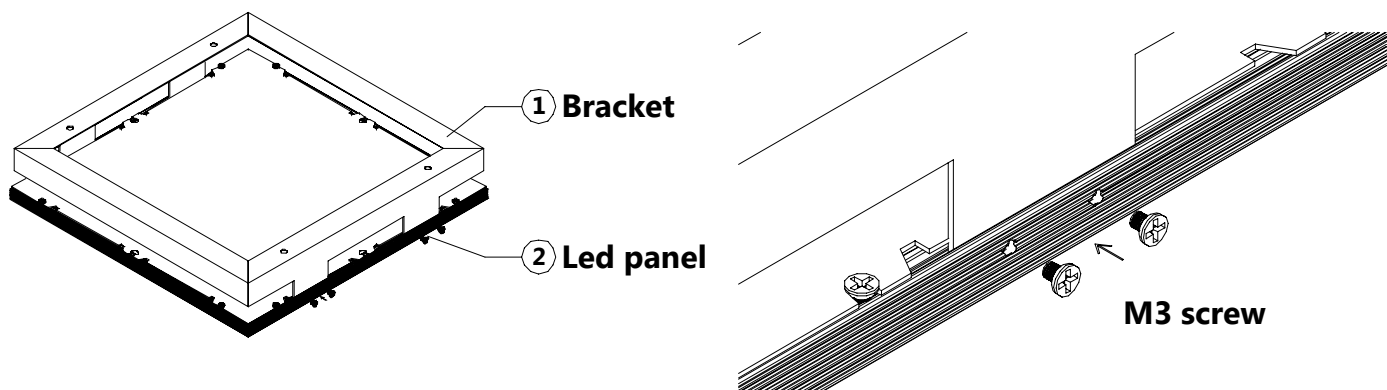
# Installation for LED Panel Light

## 1: Installation steps for Pendant LED Panel Light



- a:** Unpack the package to take out all the accessories.
- b:** The length of the steel string changes according to the lighting space, the distance is commonly 2-2.8 meters between the light and the land surface.
- c:** Fix the top fixture of the steel string on the ceiling, then fix the base fixture and the light together with M3 screw, then take out the steel string, connect the top fixture and base fixture to adjust the position and height of the panel.

## 2: Installation steps for Mounted LED Panel Light



- a:** Unpack the package to take out all the accessories.
- b:** Fix the bracket on the ceiling, then fix the bracket and panel together with M3 screw.